

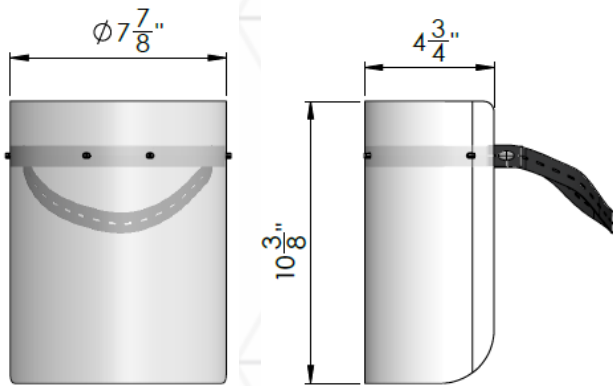
PRODUCT SHEET

Face shield



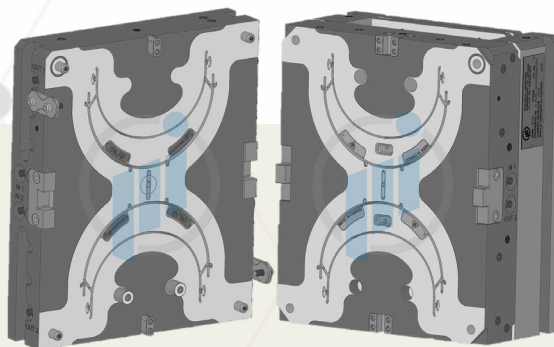
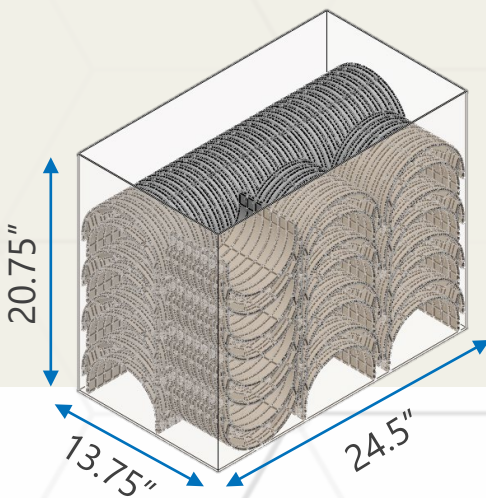
Our expertise as a mold maker and injection molder allows us to quickly offer a high production of face shields.

- ✓ Light and comfortable
- ✓ Reusable & Removable Shield
- ✓ Rigid frame
- ✓ Can be disinfected
- ✓ One size fits all & easy to use
- ✓ Complete face protection



Item	Name	Material
1	Elastic	Textile or TPE
2	Support	PP
3	Shield	PETG, PC, PMMA

PACKAGING OPTION



200 Shield supports
200 Glass shield
200 Elastic
Total Weight: 9 Kilos

2 Cavities
Capacity: 25 000/ week
(125 boxes)
* Can be adapted to your needs and requirement

